

WIRED REMOTE CONTROLLER INSTALLATION MANUAL

NC-29B



Version: 202055100900

Thank you very much for purchasing our product.
Before using your unit, please read this manual carefully and keep it for future reference.

SAFETY PRECAUTION

- Read the safety precautions carefully before installing the unit.
- Stated below are important safety issues that must be obeyed.
- Conform there is no abnormal phenomena during test operation after complete, then hand the manual to the user.
- Meaning of marks:

	WARNING	Means improper handling may lead to personal death or severe injury.
	CAUTION	Means improper handling may lead to personal injury or property loss.



WARNING

Please entrust the distributor or professionals to install the unit.
Installation by other persons may lead to imperfect installation, electric shock or fire.

Strictly follow this manual.
Improper installation may lead to electric shock or fire.

Reinstallation must be performed by professionals.
Improper installation may lead to electric shock or fire.

Do not disassemble your air conditioner at will.
A random disassembly may cause abnormal operation or heating, which may result in fire.



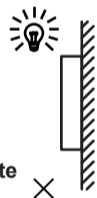
CAUTION

Do not install the unit in a place vulnerable to leakage of flammable gases.
Once flammable gases are leaked and left around the wire controller, fire may occur.

The wiring should adapt to the wire controller current.
Otherwise, electric leakage or heating may occur and result in fire.

The specified cables shall be applied in the wiring. No external force may be applied to the terminal.
Otherwise, wire cut and heating may occur and result in fire.

Do not place the wired remote controller near the lamps, to avoid the remote signal of the controller to be disturbed. (refer to the right figure)



OTHER PRECAUTIONS

Installation Location

Do not install the unit in a place with much oil, steam, sulfide gas. Otherwise, the product may deform and fail.

Preparation before installation

- Check whether the following assemblies are complete.

No.	Name	Qty.	Remarks
1	Wire controller	1	
2	Cross round head wood mounting screw	3	GB950-86 M4X20 (For Mounting on the Wall)
3	Cross round head mounting screw	2	M4X25 GB823-88 (For Mounting on the Electrical Switch Box)
4	Installation Manual	1	
5	Owner's Manual	1	
6	Plastic expansion pipe	3	For Mounting on the Wall
7	Plastic screw bar	2	For fixing on the 86 electrician box
8	Switching wires for signal receiving board	1	For connecting the signal receiving board and 4-core shielding wire
9	Switching wires for wire controller signal	1	(If needed) For connecting the main control panel and 4-core shielding wire

- Prepare the following assemblies on the site.

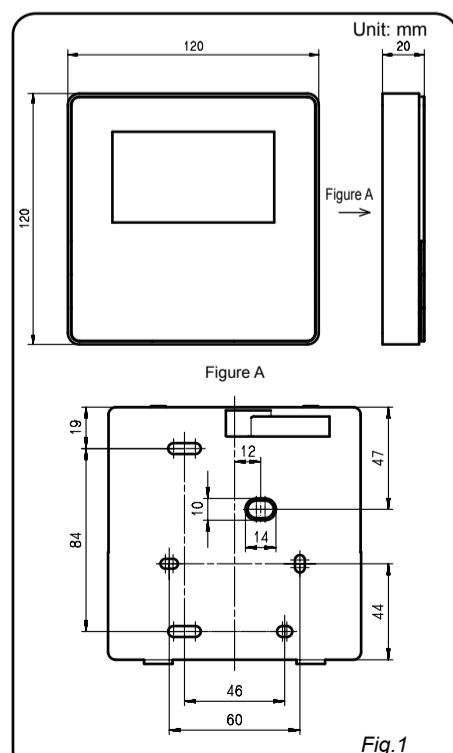
No.	Name	Qty.(embeded into wall)	Specification (only for reference)	Remarks
1	4-core shielded cable	1	RVVP-0.5mm ² x4	The longest is 15m
2	86 Electrician box	1		
3	Wiring Tube(Insulating Sleeve and Tightening Screw)	1		

Note to installation of wire controller:

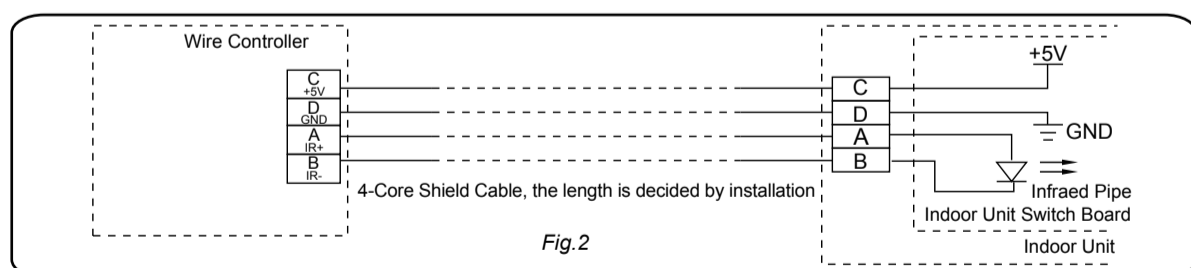
- This installation manual contains information about the procedure of installing Wired Remote Controller. Please refer to Indoor Unit Installation Manual for connecting between Wired Remote Controller and Indoor Unit.
- Circuit of Wired Remote Controller is low voltage circuit. Never connect it with a standard 220V/380V circuit or put it into a same Wiring Tube with the circuit.
- The shield cable must be connected stable to the ground, or transmission may fail.
- Do not attempt to extend the shield cable by cutting, if it is necessary, use Terminal Connection Block to connect.
- After finishing connection, do not use Megger to have the insulation check to the signal wire.

INSTALLATION PROCEDURE

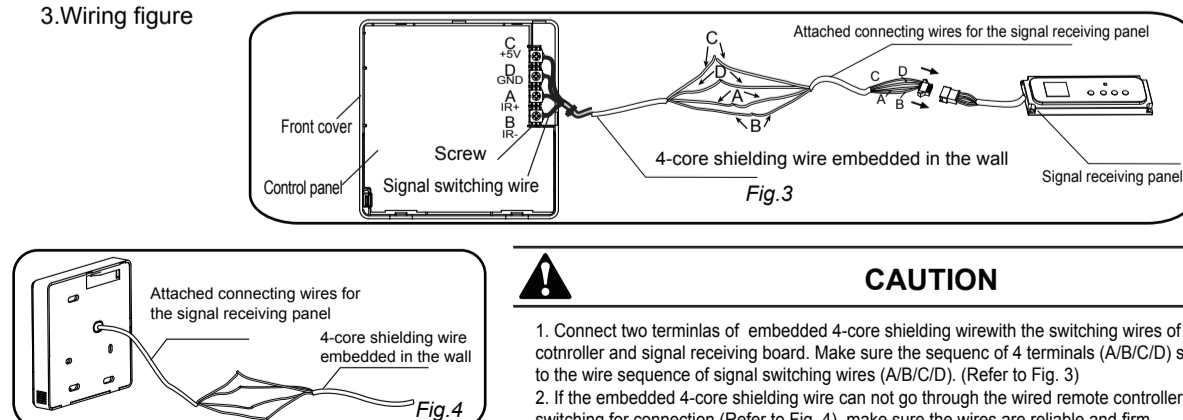
1.Wired remote controller structure size figure



2.Wiring Principle Sketch:



3.Wiring figure



CAUTION

- Connect two terminals of embedded 4-core shielding wire with the switching wires of wired remote controller and signal receiving board. Make sure the sequence of 4 terminals (A/B/C/D) should correspond to the wire sequence of signal switching wires (A/B/C/D). (Refer to Fig. 3)
- If the embedded 4-core shielding wire can not go through the wired remote controller, it can use signal switching for connection (Refer to Fig. 4), make sure the wires are reliable and firm.
- The tightening torque range of screw is :0.8~1.2N·m (8~12 kgf·cm).

INSTALLATION PROCEDURE

4. Back cover installation

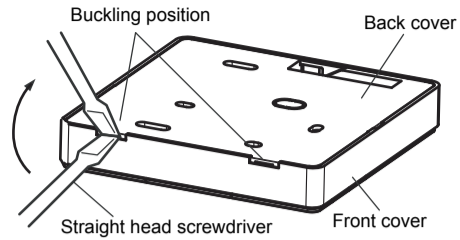


Fig.5

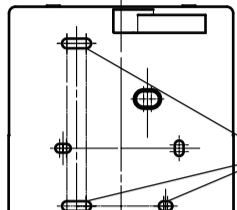


Fig.6

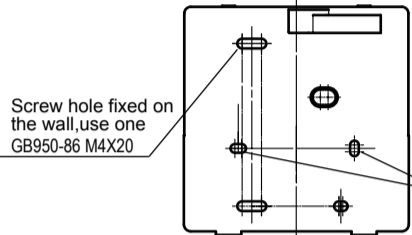


Fig.7.1

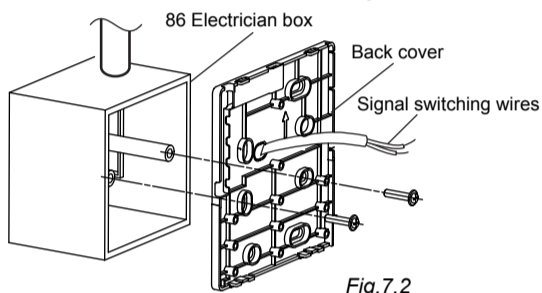


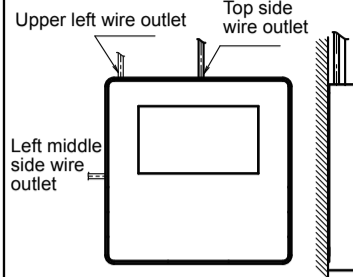
Fig.7.2



CAUTION

1. Use straight head screwdriver to insert into the buckling position in the bottom of wire controller, and spin the screwdriver to take down the back cover. (Pay attention to spinning direction, otherwise will damage the back cover!) (Fig.5)
2. Use three GB950-86 M4X20 screws to directly install the back cover on the wall. (Fig.6)
3. Use two M4X25 GB823-88 screws to install the back cover on the 86 electrician box, and use one GB950-86 M4X20 screws for fixing on the wall. (Fig.7.1)
4. Adjust the length of two plastic screw bars in the accessory to be standard length from the electrical box screw bar to the wall. Make sure when install the screw bar to the electrical box screw bar, make it as flat as the wall. (Fig.7.2)
5. Use cross head screws to fix the wire controller bottom cover in the electric control box through the screw bar. Make sure the wire controller bottom cover is on the same level after installation, and then install the wire controller back to the bottom cover.
6. Over fasten the screw will lead to deformation of back cover.

5. Wiring



A. Wiring, three outletting positions

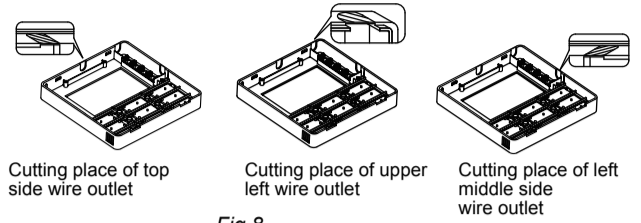


Fig.8

B. Shielded wiring

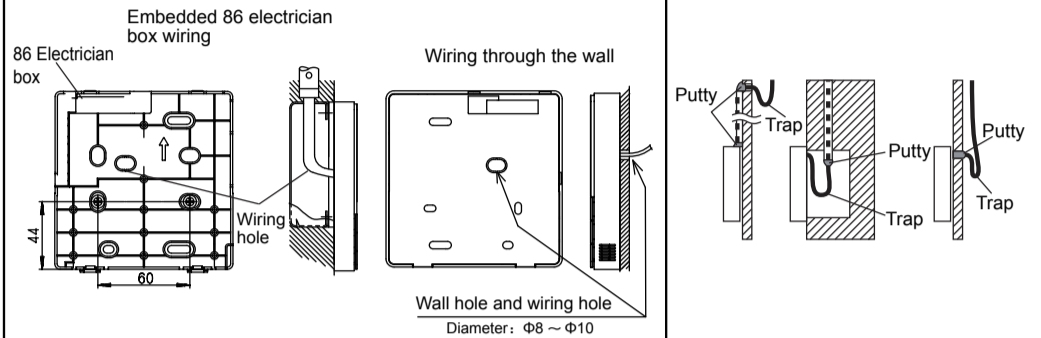


Fig.9

Fig.10



CAUTION

- Avoid the water enter into the wired remote controller, use trap and putty to seal the connectors of wires during wiring installation. (Fig.10)
- When under installation, reserve certain length of the connecting wire for convenient to take down the wired remote controller while during maintenance.

6. Front cover installation

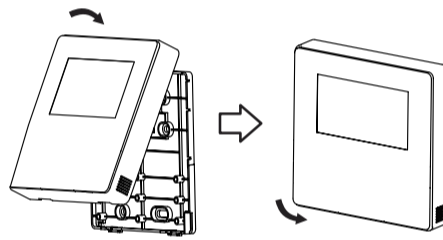


Fig.11

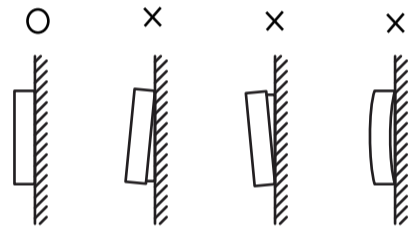


Fig.12



CAUTION

- After adjusting the front cover and then buckle the front cover; avoid clamping the communication switching wire during installation. (Fig.11)
- Correct install the back cover and firmly buckle the front cover and back cover, otherwise will make the front cover drop off. (Fig.12)

WIRED REMOTE CONTROLLER INITIAL PARAMETER SETTING

Wired remote controller initial parameters setting:

1. Change the related functions of the controller through adjusting the initial parameters, details refer to table 1.
2. The wired remote controller initial parameter include two codes "XY", the first code "X" means function class, the second code "Y" means detailed configuration of this function.
3. Setting method:
 - ① Simultaneously long press "Mode" and "Fan" button of the wired remote controller for 5 seconds to enter the parameter setting state;
 - ② The value of this first code "X" is "0", press the temperature setting button and to adjust the second code value;
 - ③ After setting the second code value, press button to switch the first code to the next value;
 - ④ When the first code value is "6", press button again to exit the parameters setting.
4. The parameters setting function only under the situation which need to adjust the default functions' setting states; otherwise there is no need to do the setting.

Table 1

First code	Function	Second code				
		0	1	2	3	4
0	Cool-only/ Cool-Heat selection	Cool-Heat (Default)	Cool-only	/	/	/
1	Indoor unit communication address setting	Yes (Default)	None	/	/	/
2	Power-off memory	Yes (Default)	None	/	/	/
3	Filter cleaning reminding	Cancel the reminding function	1250 hours	2500 hours (Default)	5000 hours	10000 hours
5	Remote receiving function	Yes (Default)	None	/	/	/
6	Centigrade/ Fahrenheit display	Centigrade (Default)	Fahrenheit	/	/	/

Note:

- For cooling only operations, please do corresponding settings as described .